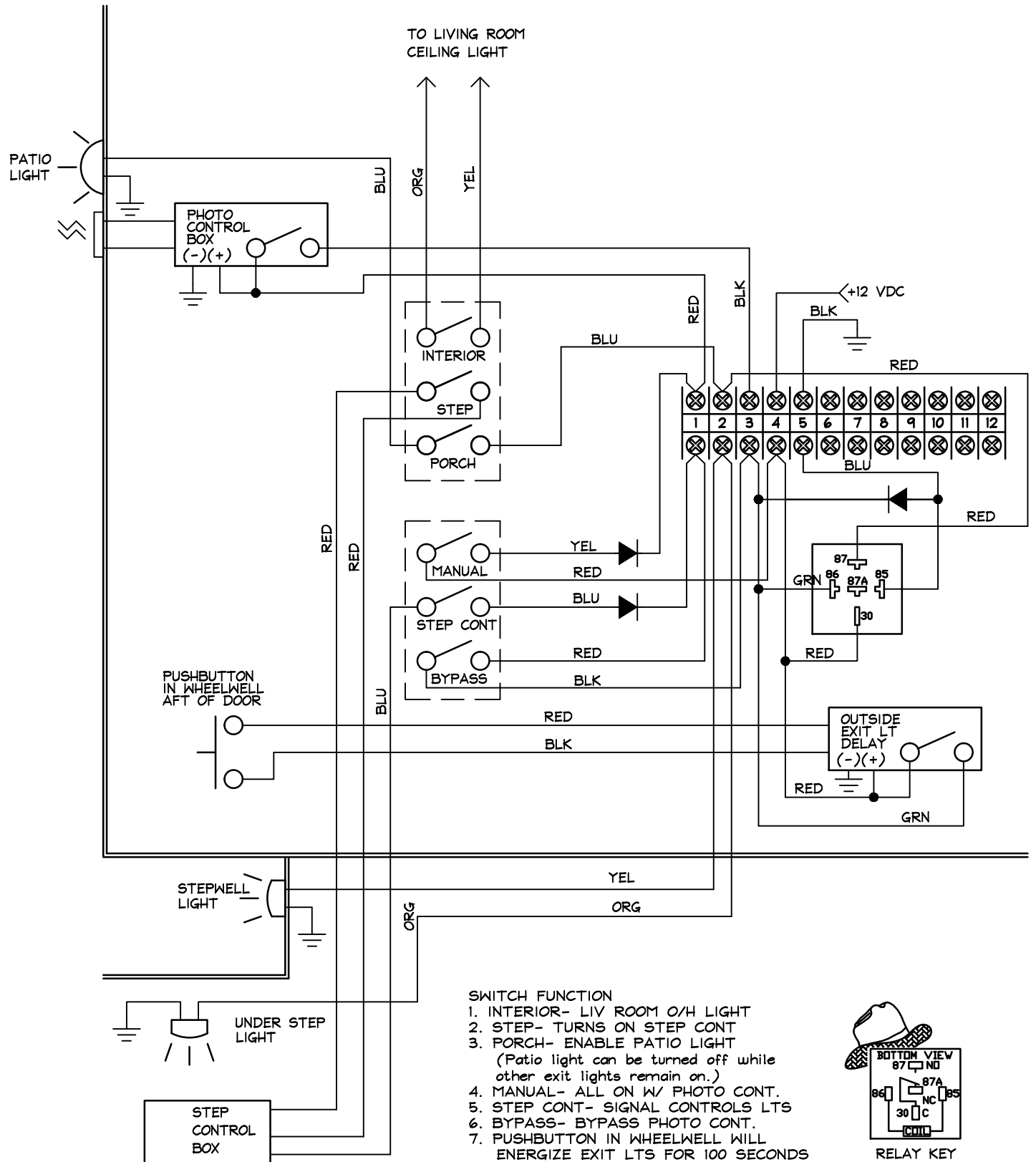
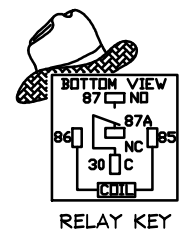


04/11/21 9:50:29 AM D:\MY DOCUMENTS\SAFARI\SAFARI\CAD\AUTOELECTRIC1.DWG



- SWITCH FUNCTION**
1. INTERIOR- LIV ROOM O/H LIGHT
 2. STEP- TURNS ON STEP CONT
 3. PORCH- ENABLE PATIO LIGHT
(Patio light can be turned off while other exit lights remain on.)
 4. MANUAL- ALL ON W/ PHOTO CONT.
 5. STEP CONT- SIGNAL CONTROLS LTS
 6. BYPASS- BYPASS PHOTO CONT.
 7. PUSHBUTTON IN WHEELWELL WILL ENERGIZE EXIT LTS FOR 100 SECONDS



SCALE:N/A	PROJECT:MOTORHOME	TITLE:SAFARI EXIT LIGHTS	REVISION
DRAWN:JIM EXLER	LOC: CAMARILLO, CA	DRG: EXIT 1	0
DATE: 7/28/10	JOB NO:N/A	AutoElectric1.dwg	